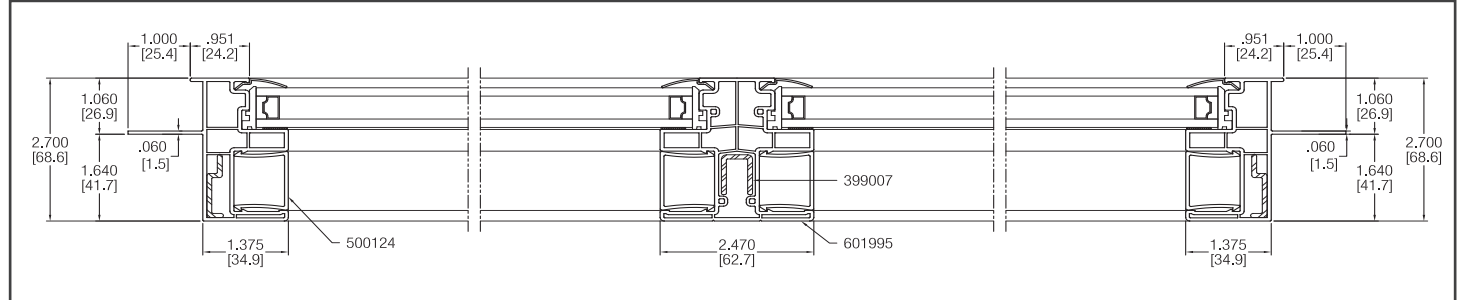
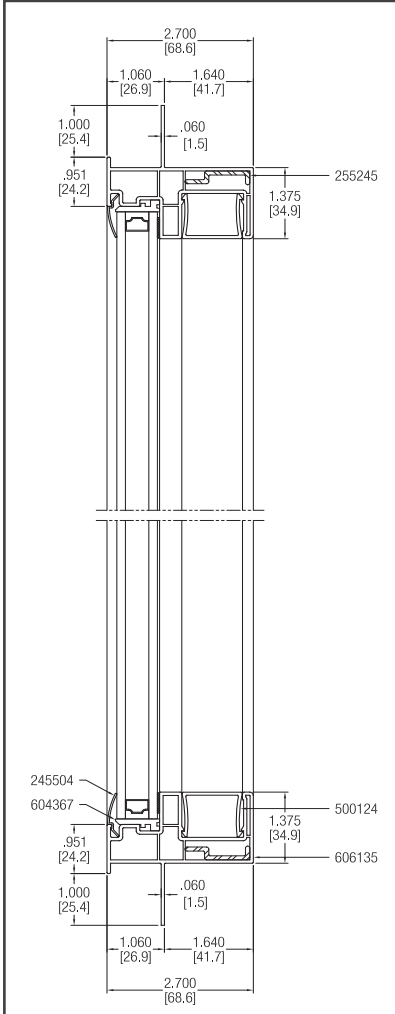
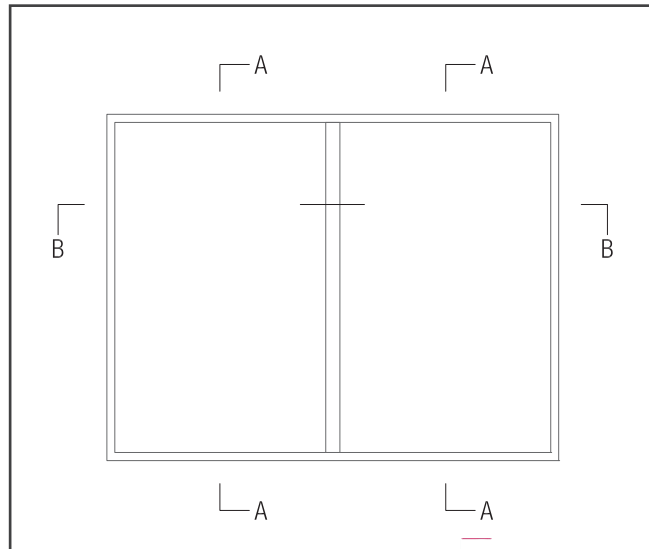


ELEMENT SERIES - FIXED COMBO

SYSTEM DRAWING



SECTION B-B



SECTION A-A