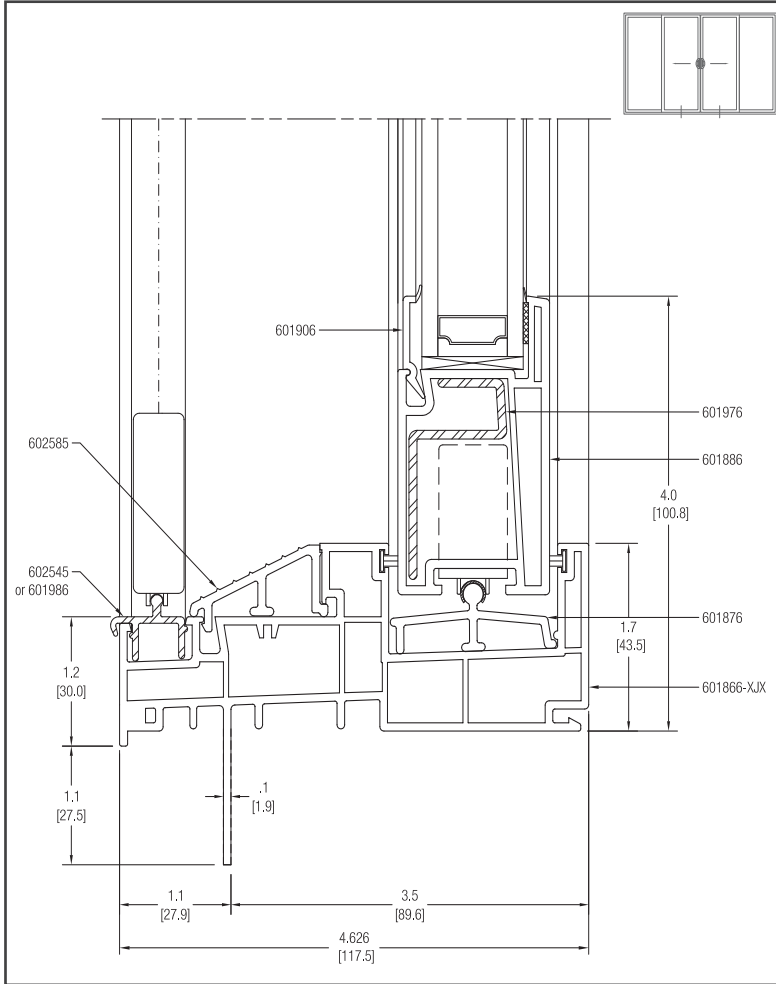
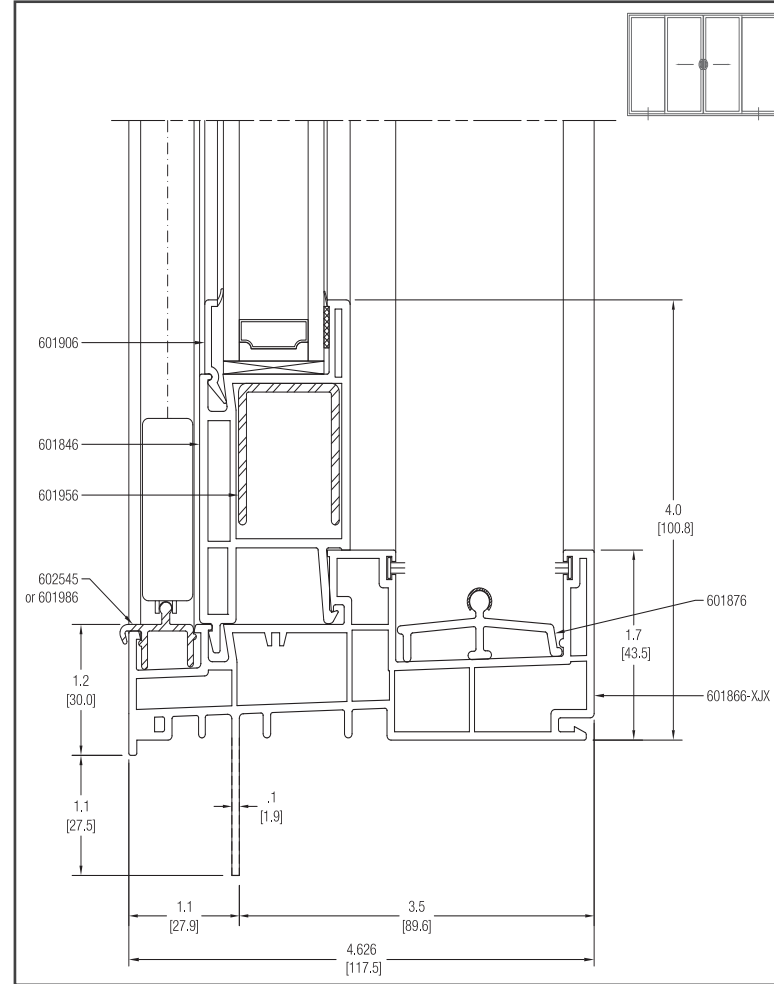


FUSION SERIES - SINGLE SLIDE DOOR

CROSS SECTION DRAWING



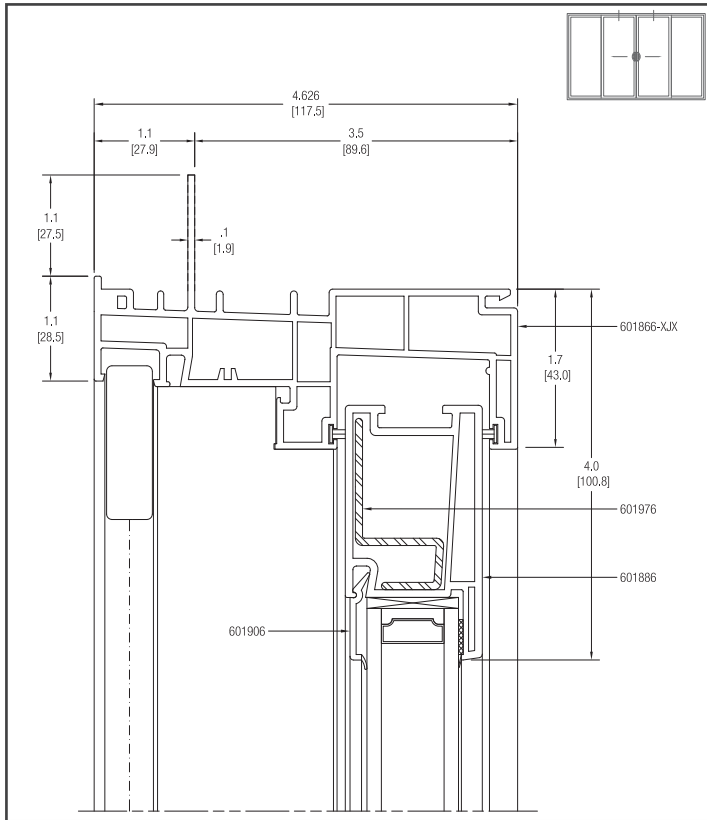
SILL OPERABLE



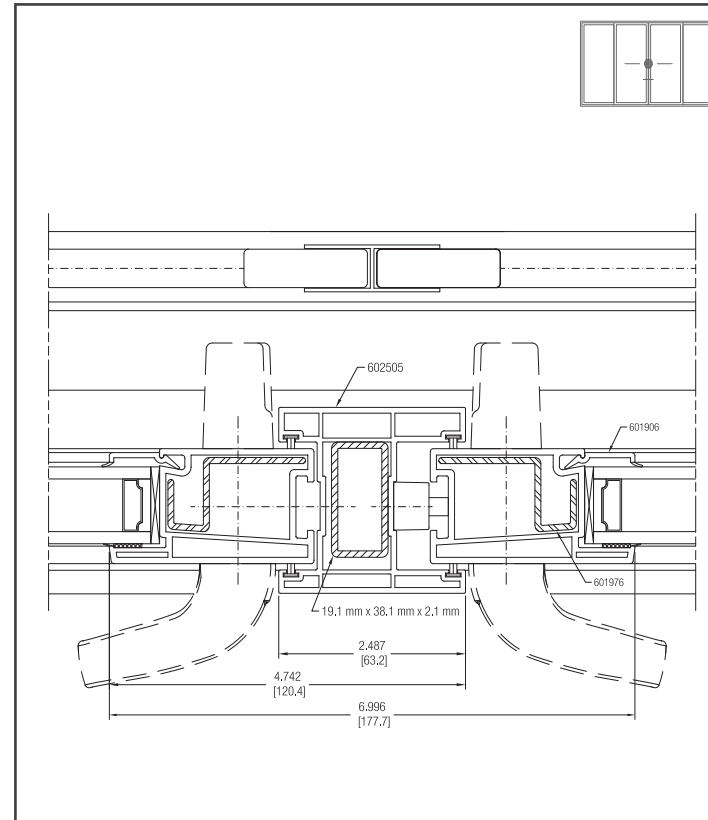
SILL FIXED

FUSION SERIES - SINGLE SLIDE DOOR

CROSS SECTION DRAWING



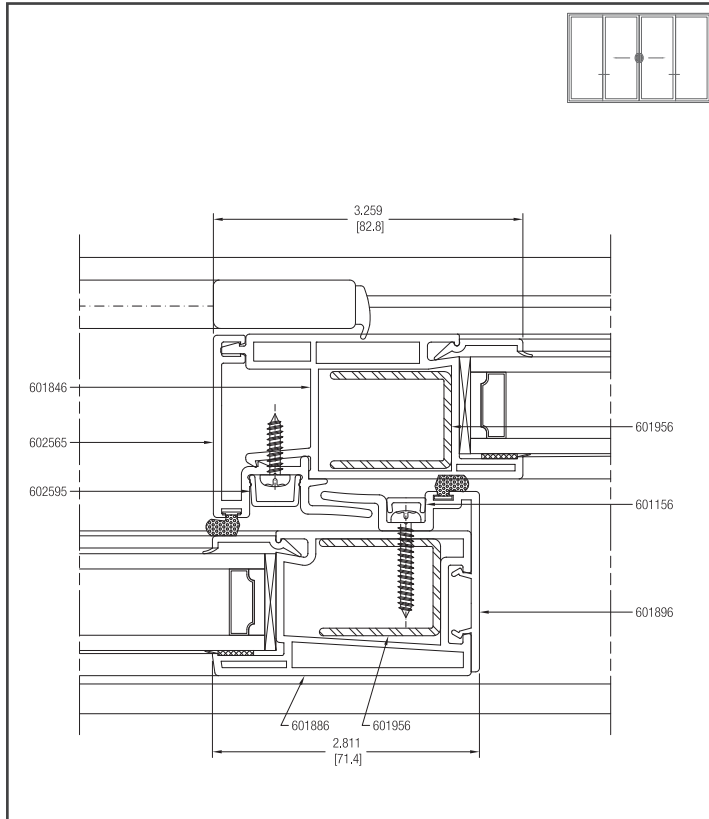
HEAD OPERABLE



MEETING RAIL LOCK

FUSION SERIES - SINGLE SLIDE DOOR

CROSS SECTION DRAWING



MEETING RAIL