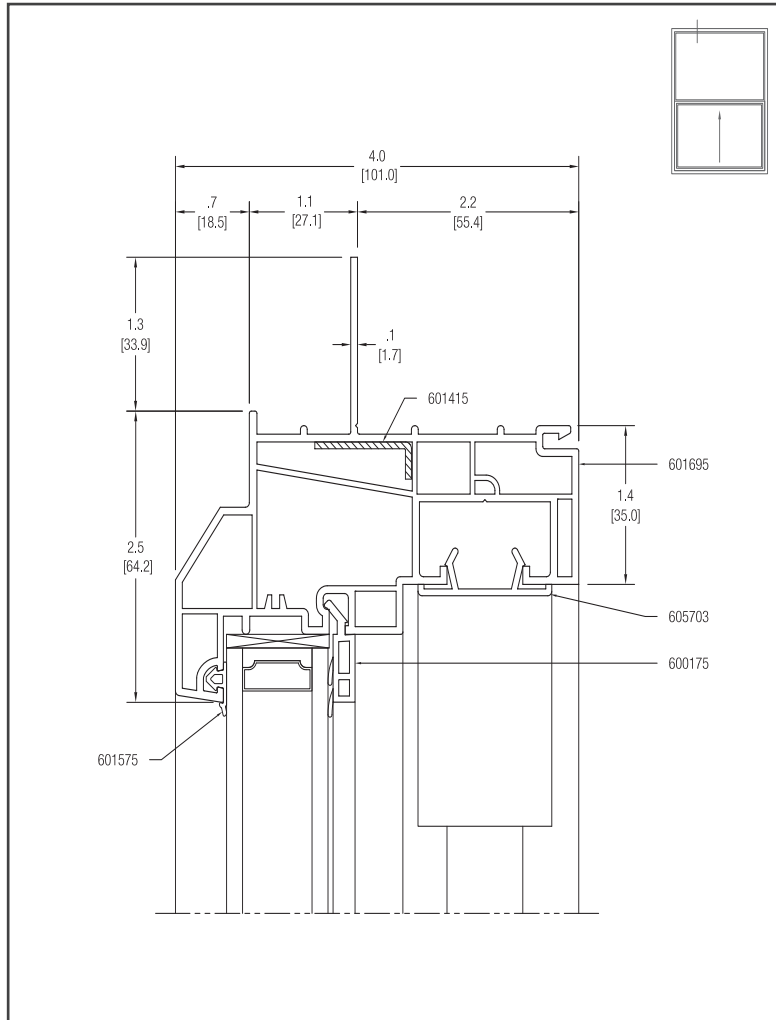
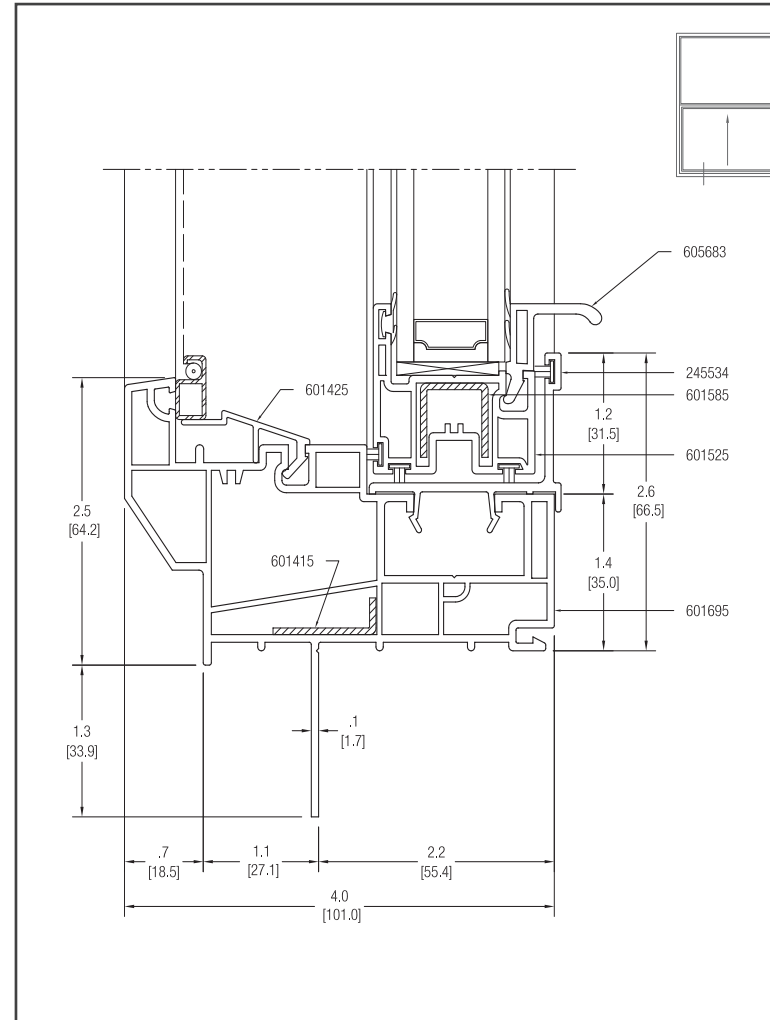


# VIENNA SERIES - SINGLE HUNG WINDOW

## CROSS SECTION DRAWING



**HEAD**

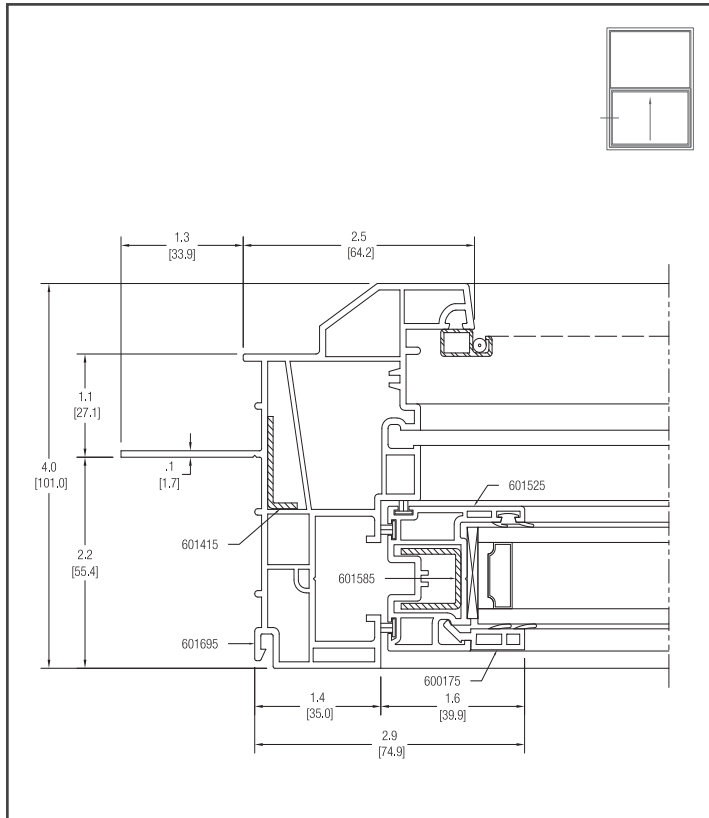


**SILL**

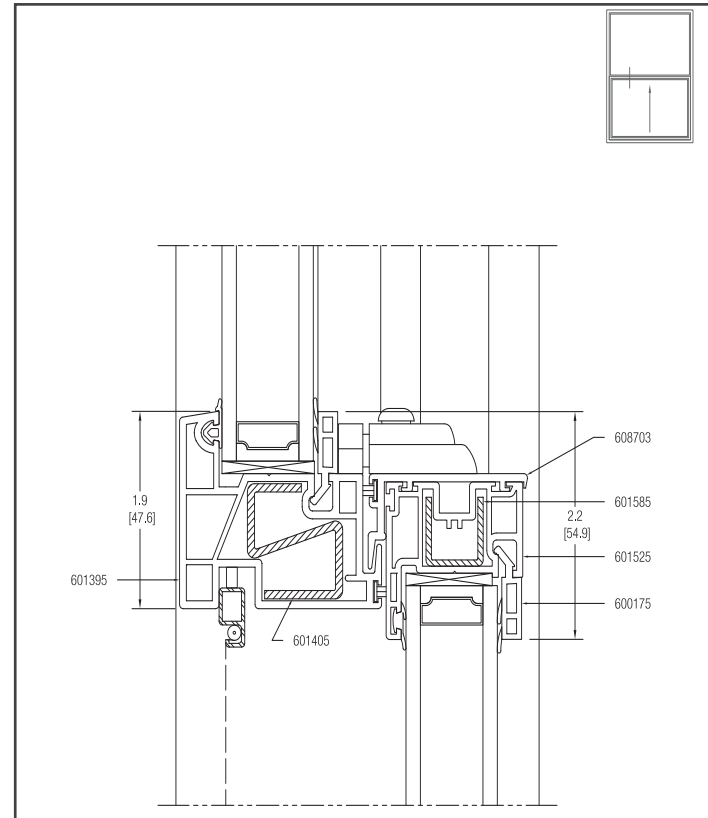
The information contained herein is believed to be reliable, but no representations, guarantees or warranties of any kind are made as to its accuracy, suitability for particular applications or the results to be obtained therefrom. Before using, the user will determine suitability of the information for user's intended use and shall assume all risk and liability in connection therewith. © ALTERA 2017.

# VIENNA SERIES - SINGLE HUNG WINDOW

## CROSS SECTION DRAWING



### JAMB



### MEETING RAIL

The information contained herein is believed to be reliable, but no representations, guarantees or warranties of any kind are made as to its accuracy, suitability for particular applications or the results to be obtained therefrom. Before using, the user will determine suitability of the information for user's intended use and shall assume all risk and liability in connection therewith. © ALTERA 2017.